

## SkyLine Premium Electric Combi Oven 6GN2/1

ITEM # \_\_\_\_\_

MODEL # \_\_\_\_\_

NAME # \_\_\_\_\_

SIS # \_\_\_\_\_

AIA # \_\_\_\_\_


**217851 (ECO62B2A1)**

SkyLine Premium Combi Boiler Oven with digital control, 6x2/1GN, electric, programmable, automatic cleaning, boiler in AISI 316

### Short Form Specification

#### Item No.

- Combi oven with digital interface with guided selection.
- Built-in steam generator (in s/s 316L) with real humidity control based upon Lambda Sensor.
  - OptiFlow air distribution system to achieve maximum performance with 5 fan speed levels.
  - SkyClean: Automatic and built-in self cleaning system with integrated descale of the steam generator. 5 automatic cycles (soft, medium, strong, extra strong, rinse-only).
  - Cooking modes: Programs (a maximum of 100 recipes can be stored); Manual (steam, combi and convection cycles); EcoDelta cooking cycle; Regeneration cycle.
  - Automatic backup mode to avoid downtime.
  - USB port to download HACCP data, programs and settings. Connectivity ready.
  - Single sensor core temperature probe.
  - Double-glass door with LED lights.
  - Stainless steel construction throughout.
  - Supplied with n.1 tray rack 2/1 GN, 67 mm pitch.

### Main Features

- Digital interface with LED backlight buttons with guided selection.
- Built-in steam generator for highly precise humidity and temperature control according to the chosen settings.
- Real humidity control based upon Lambda Sensor to automatically recognize quantity and size of food for consistent quality results.
- Dry, hot convection cycle (25 °C - 300 °C): ideal for low humidity cooking.
- Combination cycle (25 °C - 300 °C): combining convected heat and steam to obtain humidity controlled cooking environment, accelerating the cooking process and reducing weight loss.
- Low temperature Steam cycle (25 °C - 99 °C): ideal for sous-vide, re-thermalization and delicate cooking.  
Steam cycle (100 °C): seafood and vegetables.  
High temperature steam (25 °C - 130 °C).
- EcoDelta cooking: cooking with food probe maintaining preset temperature difference between the core of the food and the cooking chamber.
- Pre-set program for Regeneration, ideal for banqueting on plate or rethermalizing on tray.
- Programs mode: a maximum of 100 recipes can be stored in the oven's memory, to recreate the exact same recipe at any time. 4-step cooking programs also available.
- Fan with 5 speed levels from 300 to 1500 RPM and reverse rotation for optimal evenness. Fan stops in less than 5 seconds when door is opened.
- Single sensor core temperature probe included.
- Automatic fast cool down and pre-heat function.
- SkyClean: Automatic and built-in self cleaning system with integrated descale of the steam generator. 5 automatic cycles (soft, medium, strong, extra strong, rinse-only).
- Different chemical options available: solid (phosphate-free), liquid (requires optional accessory).
- GreaseOut: predisposed for integrated grease drain and collection for safer operation (dedicated base as optional accessory).
- USB port to download HACCP data, share cooking programs and configurations.  
USB port also allows to plug-in sous-vide probe (optional accessory).
- Back-up mode with self-diagnosis is automatically activated if a failure occurs to avoid downtime.
- Capacity: 6 GN 2/1 or 12 GN 1/1 trays.
- OptiFlow air distribution system to achieve maximum performance in chilling/heating evenness and temperature control thanks to a special design of the chamber.

### Construction

- Double thermo-glazed door with open frame construction, for cool outside door panel. Swing hinged easy-release inner glass on door for easy cleaning.
- Seamless hygienic internal chamber with all

APPROVAL: \_\_\_\_\_

- rounded corners for easy cleaning.
- 304 AISI stainless steel construction throughout.
- Front access to control board for easy service.
- IPX 5 spray water protection certification for easy cleaning.
- Supplied with n.1 tray rack 2/1 GN, 67 mm pitch.

## User Interface & Data Management

- Connectivity ready for real time access to connected appliances from remote and HACCP monitoring (requires optional accessory).
- Connectivity ready for real time access to connected appliances from remote and data monitoring (requires optional accessory - contact the Company for more details).

## Sustainability

- Human centered design with 4-star certification for ergonomics and usability.
- Wing-shaped handle with ergonomic design and hands-free opening with the elbow, making managing trays simpler. Protected by registered design (EM003143551 and related family).
- Reduced powerfunction for customized slow cooking cycles.

## Optional Accessories

- External reverse osmosis filter for single tank Dishwashers with atmosphere boiler and Ovens PNC 864388
- Water softener with cartridge and flow meter (high steam usage) PNC 920003
- Water filter with cartridge and flow meter for 6 & 10 GN 1/1 ovens (low-medium steam usage - less than 2hrs per day full steam) PNC 920004
- Water softener with salt for ovens with automatic regeneration of resin PNC 921305
- Wheel kit for 6 & 10 GN 1/1 and 2/1 GN oven base (not for the disassembled one) PNC 922003
- Pair of AISI 304 stainless steel grids, GN 1/1 PNC 922017
- Pair of grids for whole chicken (8 per grid - 1,2kg each), GN 1/1 PNC 922036
- AISI 304 stainless steel grid, GN 1/1 PNC 922062
- AISI 304 stainless steel grid, GN 2/1 PNC 922076
- External side spray unit (needs to be mounted outside and includes support to be mounted on the oven) PNC 922171
- Pair of AISI 304 stainless steel grids, GN 2/1 PNC 922175
- Baking tray for 5 baguettes in perforated aluminum with silicon coating, 400x600x38mm PNC 922189
- Baking tray with 4 edges in perforated aluminum, 400x600x20mm PNC 922190
- Baking tray with 4 edges in aluminum, 400x600x20mm PNC 922191
- Pair of frying baskets PNC 922239
- AISI 304 stainless steel bakery/pastry grid 400x600mm PNC 922264
- Double-step door opening kit PNC 922265
- Grid for whole chicken (8 per grid - 1,2kg each), GN 1/1 PNC 922266

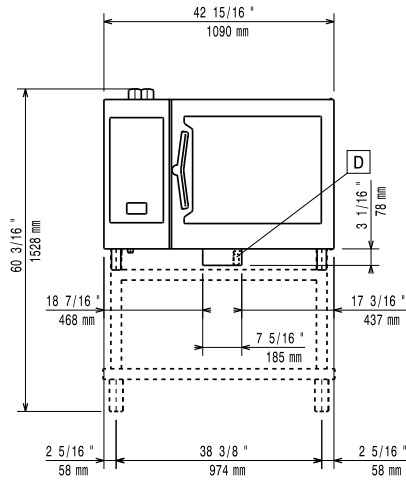
- Kit universal skewer rack and 6 short skewers for Lengthwise and Crosswise ovens PNC 922325
- Universal skewer rack PNC 922326
- 6 short skewers PNC 922328
- Volcano Smoker for lengthwise and crosswise oven PNC 922338
- Multipurpose hook PNC 922348
- 4 flanged feet for 6 & 10 GN , 2", 100-130mm PNC 922351
- Grease collection tray, GN 2/1, H=60 mm PNC 922357
- Grid for whole duck (8 per grid - 1,8kg each), GN 1/1 PNC 922362
- Tray support for 6 & 10 GN 2/1 disassembled open base PNC 922384
- Wall mounted detergent tank holder PNC 922386
- USB single point probe PNC 922390
- IoT module for SkyLine ovens and blast chiller/freezers PNC 922421
- Slide-in rack with handle for 6 & 10 GN 2/1 oven PNC 922605
- Tray rack with wheels, 5 GN 2/1, 80mm pitch PNC 922611
- Open base with tray support for 6 & 10 GN 2/1 oven PNC 922613
- Cupboard base with tray support for 6 & 10 GN 2/1 oven PNC 922616
- Hot cupboard base with tray support for 6 & 10 GN 2/1 oven holding GN 2/1 trays PNC 922617
- External connection kit for liquid detergent and rinse aid PNC 922618
- Stacking kit for 6 GN 2/1 oven placed on electric 10 GN 2/1 oven PNC 922621
- Trolley for slide-in rack for 10 GN 2/1 oven and blast chiller freezer PNC 922627
- Trolley for mobile rack for 2 stacked 6 GN 2/1 ovens on riser PNC 922629
- Trolley for mobile rack for 6 GN 2/1 on 6 or 10 GN 2/1 ovens PNC 922631
- Riser on feet for stacked 2x6 GN 1/1 ovens PNC 922633
- Riser on wheels for stacked 2x6 GN 2/1 ovens, height 250mm PNC 922634
- Stainless steel drain kit for 6 & 10 GN oven, dia=50mm PNC 922636
- Plastic drain kit for 6 &10 GN oven, dia=50mm PNC 922637
- Trolley with 2 tanks for grease collection PNC 922638
- Grease collection kit for GN 1/1-2/1 open base (2 tanks, open/close device for drain) PNC 922639
- Wall support for 6 GN 2/1 oven PNC 922644
- Dehydration tray, GN 1/1, H=20mm PNC 922651
- Flat dehydration tray, GN 1/1 PNC 922652
- Open base for 6 & 10 GN 2/1 oven, disassembled - NO accessory can be fitted with the exception of 922384 PNC 922654
- Heat shield for 6 GN 2/1 oven PNC 922665
- Heat shield-stacked for ovens 6 GN 2/1 on 6 GN 2/1 PNC 922666

- |                                                                                    |            |                          |                                                                                                                                                                                                                                                                                                |            |                          |
|------------------------------------------------------------------------------------|------------|--------------------------|------------------------------------------------------------------------------------------------------------------------------------------------------------------------------------------------------------------------------------------------------------------------------------------------|------------|--------------------------|
| • Heat shield-stacked for ovens 6 GN 2/1 on 10 GN 2/1                              | PNC 922667 | <input type="checkbox"/> | • C25 Rinse & Descal tab 2in1 rinse aid and descaler in disposable tablets for Skyline ovens Professional 2in1 rinse aid and descaler in disposable tablets for new generation ovens with automatic washing system. Suitable for all types of water. Packaging: 1 drum of 50 30g tablets. each | PNC 0S2394 | <input type="checkbox"/> |
| • Fixed tray rack, 5 GN 2/1, 85mm pitch                                            | PNC 922681 | <input type="checkbox"/> |                                                                                                                                                                                                                                                                                                |            |                          |
| • Kit to fix oven to the wall                                                      | PNC 922687 | <input type="checkbox"/> |                                                                                                                                                                                                                                                                                                |            |                          |
| • Tray support for 6 & 10 GN 2/1 oven base                                         | PNC 922692 | <input type="checkbox"/> |                                                                                                                                                                                                                                                                                                |            |                          |
| • 4 adjustable feet with black cover for 6 & 10 GN ovens, 100-115mm                | PNC 922693 | <input type="checkbox"/> |                                                                                                                                                                                                                                                                                                |            |                          |
| • Detergent tank holder for open base                                              | PNC 922699 | <input type="checkbox"/> | • C22 Cleaning Tab Disposable detergent tablets for SkyLine ovens Professional detergent for new generation ovens with automatic washing system. Suitable for all types of water. Packaging: 1 drum of 100 65g tablets. each                                                                   | PNC 0S2395 | <input type="checkbox"/> |
| • Tray rack with wheels, 6 GN 2/1, 65mm pitch                                      | PNC 922700 | <input type="checkbox"/> |                                                                                                                                                                                                                                                                                                |            |                          |
| • Mesh grilling grid, GN 1/1                                                       | PNC 922713 | <input type="checkbox"/> |                                                                                                                                                                                                                                                                                                |            |                          |
| • Probe holder for liquids                                                         | PNC 922714 | <input type="checkbox"/> |                                                                                                                                                                                                                                                                                                |            |                          |
| • Odour reduction hood with fan for 6 & 10 GN 2/1 electric ovens                   | PNC 922719 | <input type="checkbox"/> |                                                                                                                                                                                                                                                                                                |            |                          |
| • Odour reduction hood with fan for 6+6 or 6+10 GN 2/1 electric ovens              | PNC 922721 | <input type="checkbox"/> |                                                                                                                                                                                                                                                                                                |            |                          |
| • Condensation hood with fan for 6 & 10 GN 2/1 electric oven                       | PNC 922724 | <input type="checkbox"/> |                                                                                                                                                                                                                                                                                                |            |                          |
| • Condensation hood with fan for stacking 6+6 or 6+10 GN 2/1 electric ovens        | PNC 922726 | <input type="checkbox"/> |                                                                                                                                                                                                                                                                                                |            |                          |
| • Exhaust hood with fan for 6 & 10 GN 2/1 GN ovens                                 | PNC 922729 | <input type="checkbox"/> |                                                                                                                                                                                                                                                                                                |            |                          |
| • Exhaust hood with fan for stacking 6+6 or 6+10 GN 2/1 ovens                      | PNC 922731 | <input type="checkbox"/> |                                                                                                                                                                                                                                                                                                |            |                          |
| • Exhaust hood without fan for 6&10x2/1 GN oven                                    | PNC 922734 | <input type="checkbox"/> |                                                                                                                                                                                                                                                                                                |            |                          |
| • Exhaust hood without fan for stacking 6+6 or 6+10 GN 2/1 ovens                   | PNC 922736 | <input type="checkbox"/> |                                                                                                                                                                                                                                                                                                |            |                          |
| • 4 high adjustable feet for 6 & 10 GN ovens, 230-290mm                            | PNC 922745 | <input type="checkbox"/> |                                                                                                                                                                                                                                                                                                |            |                          |
| • Tray for traditional static cooking, H=100mm                                     | PNC 922746 | <input type="checkbox"/> |                                                                                                                                                                                                                                                                                                |            |                          |
| • Double-face griddle, one side ribbed and one side smooth, 400x600mm              | PNC 922747 | <input type="checkbox"/> |                                                                                                                                                                                                                                                                                                |            |                          |
| • Trolley for grease collection kit                                                | PNC 922752 | <input type="checkbox"/> |                                                                                                                                                                                                                                                                                                |            |                          |
| • Water inlet pressure reducer                                                     | PNC 922773 | <input type="checkbox"/> |                                                                                                                                                                                                                                                                                                |            |                          |
| • Kit for installation of electric power peak management system for 6 & 10 GN Oven | PNC 922774 | <input type="checkbox"/> |                                                                                                                                                                                                                                                                                                |            |                          |
| • Extension for condensation tube, 37cm                                            | PNC 922776 | <input type="checkbox"/> |                                                                                                                                                                                                                                                                                                |            |                          |
| • Non-stick universal pan, GN 1/1, H=20mm                                          | PNC 925000 | <input type="checkbox"/> |                                                                                                                                                                                                                                                                                                |            |                          |
| • Non-stick universal pan, GN 1/1, H=40mm                                          | PNC 925001 | <input type="checkbox"/> |                                                                                                                                                                                                                                                                                                |            |                          |
| • Non-stick universal pan, GN 1/1, H=60mm                                          | PNC 925002 | <input type="checkbox"/> |                                                                                                                                                                                                                                                                                                |            |                          |
| • Double-face griddle, one side ribbed and one side smooth, GN 1/1                 | PNC 925003 | <input type="checkbox"/> |                                                                                                                                                                                                                                                                                                |            |                          |
| • Aluminum grill, GN 1/1                                                           | PNC 925004 | <input type="checkbox"/> |                                                                                                                                                                                                                                                                                                |            |                          |
| • Frying pan for 8 eggs, pancakes, hamburgers, GN 1/1                              | PNC 925005 | <input type="checkbox"/> |                                                                                                                                                                                                                                                                                                |            |                          |
| • Flat baking tray with 2 edges, GN 1/1                                            | PNC 925006 | <input type="checkbox"/> |                                                                                                                                                                                                                                                                                                |            |                          |
| • Potato baker for 28 potatoes, GN 1/1                                             | PNC 925008 | <input type="checkbox"/> |                                                                                                                                                                                                                                                                                                |            |                          |
| • Compatibility kit for installation on previous base GN 2/1                       | PNC 930218 | <input type="checkbox"/> |                                                                                                                                                                                                                                                                                                |            |                          |

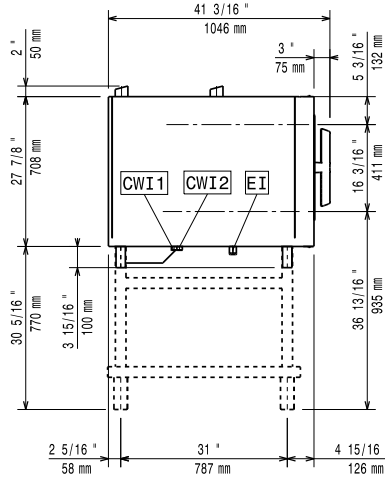
## Recommended Detergents



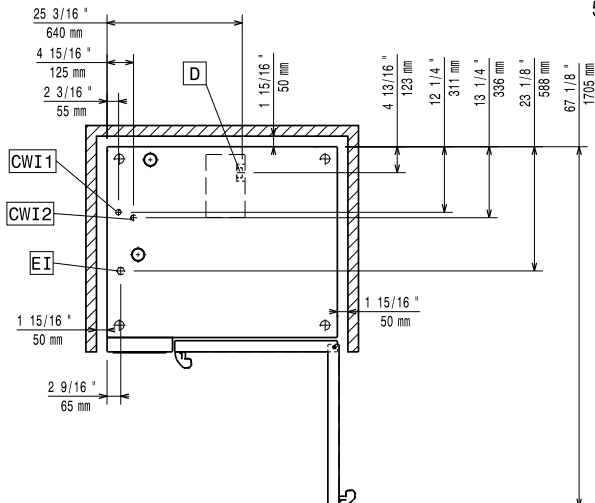
Front



Side



CWI1 = Cold Water inlet 1 (cleaning)      EI = Electrical inlet (power)  
 CWI2 = Cold Water Inlet 2 (steam generator)  
 D = Drain  
 DO = Overflow drain pipe

 Top  
 5'


### Electric

#### Supply voltage:

217851 (ECO E62B2A1) 380-415 V/3N ph/50-60 Hz

#### Electrical power, default:

21.4 kW

Default power corresponds to factory test conditions.

When supply voltage is declared as a range the test is performed at the average value. According to the country, the installed power may vary within the range.

#### Electrical power max.:

22.9 kW

#### Circuit breaker required

### Water:

#### Water inlet connections "CWI1-CWI2":

3/4"

#### Pressure, bar min/max:

1-6 bar

#### Drain "D":

50mm

#### Max inlet water supply temperature:

30 °C

#### Chlorides:

<20 ppm

#### Conductivity:

>50 µS/cm

**Electrolux Professional** recommends the use of treated water, based on testing of specific water conditions.

Please refer to user manual for detailed water quality information.

### Installation:

#### Clearance:

Clearance: 5 cm rear and right hand sides.

#### Suggested clearance for service access:

50 cm left hand side.

### Capacity:

#### Trays type:

6 - 2/1 Gastronorm

#### Max load capacity:

60 kg

### Key Information:

#### Door hinges:

External dimensions, Width: 1090 mm

External dimensions, Depth: 971 mm

External dimensions, Height: 808 mm

#### Net weight:

155 kg

#### Shipping weight:

178 kg

#### Shipping volume:

1.27 m<sup>3</sup>

### ISO Certificates

#### ISO Standards:

ISO 9001; ISO 14001; ISO 45001; ISO 50001